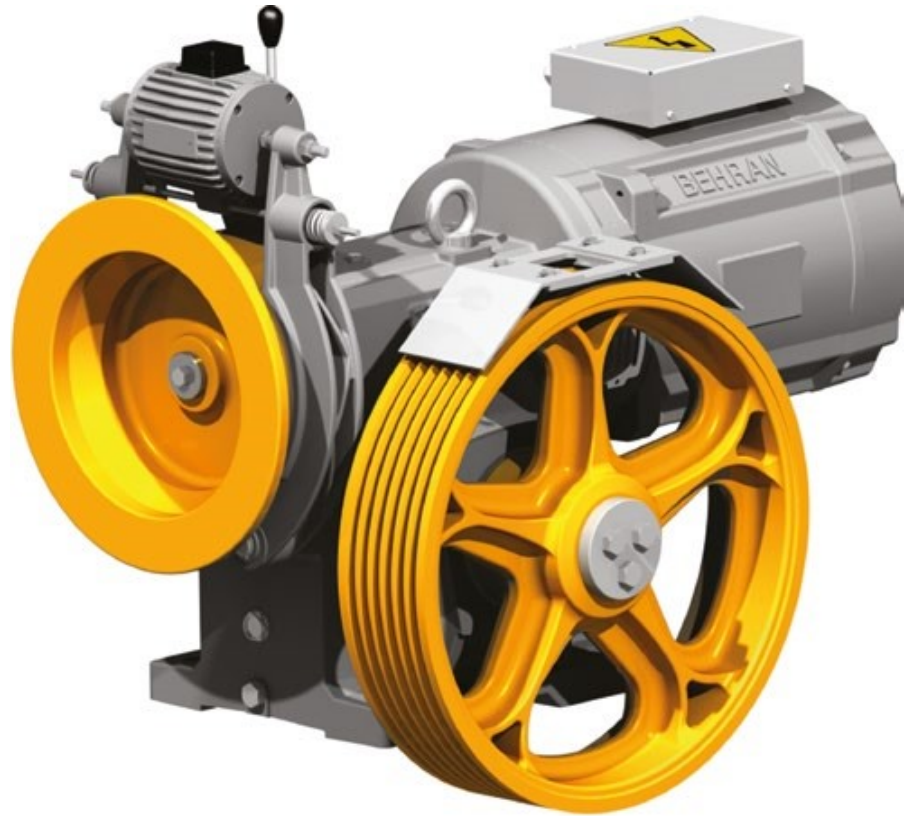


Elevator Gearbox Motors
asansör şanzıman motoru
موتور گیربکس آسانسور





Worm Shaft & Gear



5 Micron Ultra-Precision
CNC Machining

Shaft



Hardened Worm Shaft

Bearings



Heavy Duty Bearings
High Grade

BL 240 Series
BL 260 Series
BL 280 Series

Super Strength

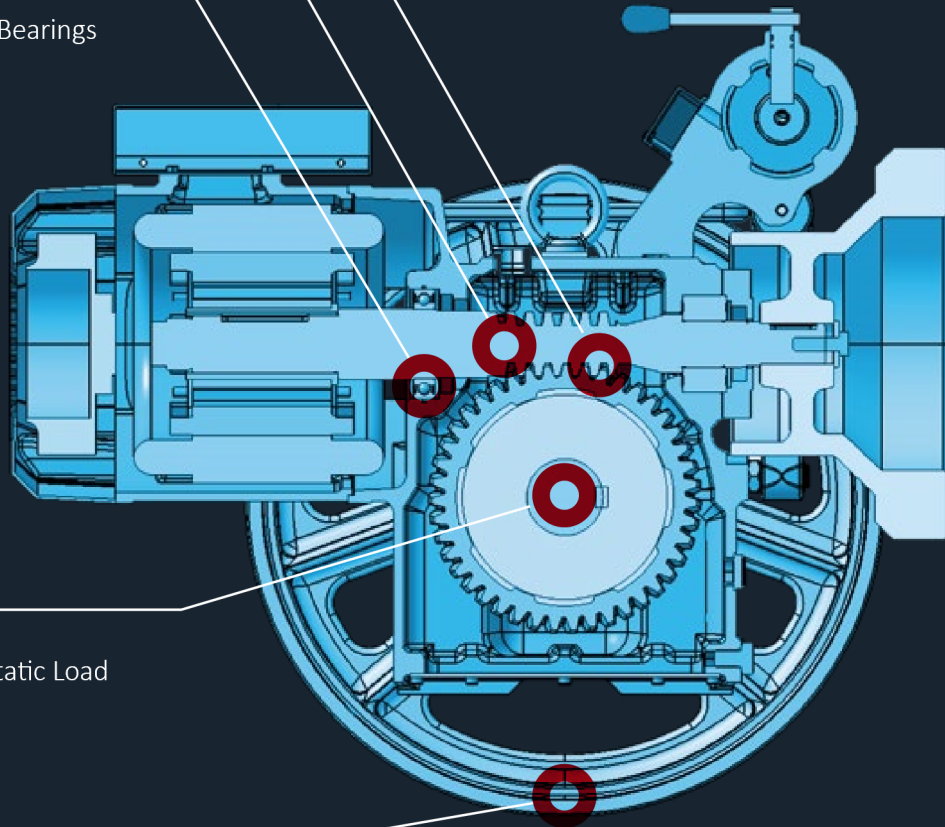


Ultra High Static Load

Motor Pulley

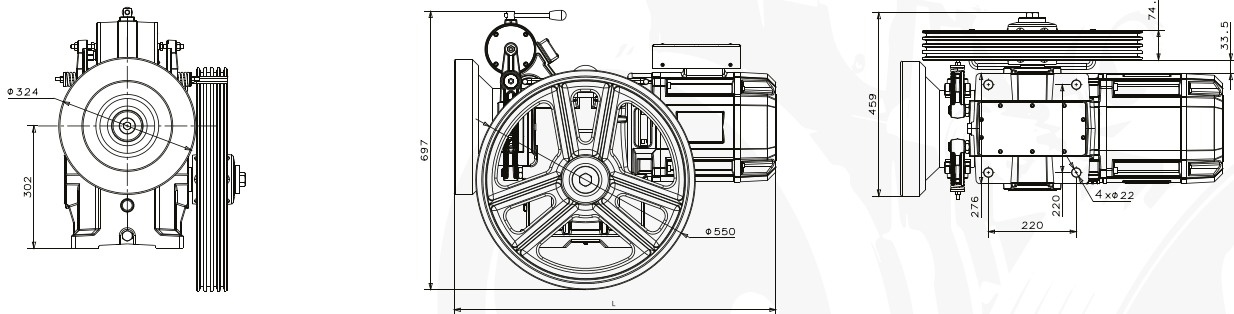


Special Impact/Wear/Fatigue-Resistant
Graphite-Rich Ductile Cast Iron





Dimensions

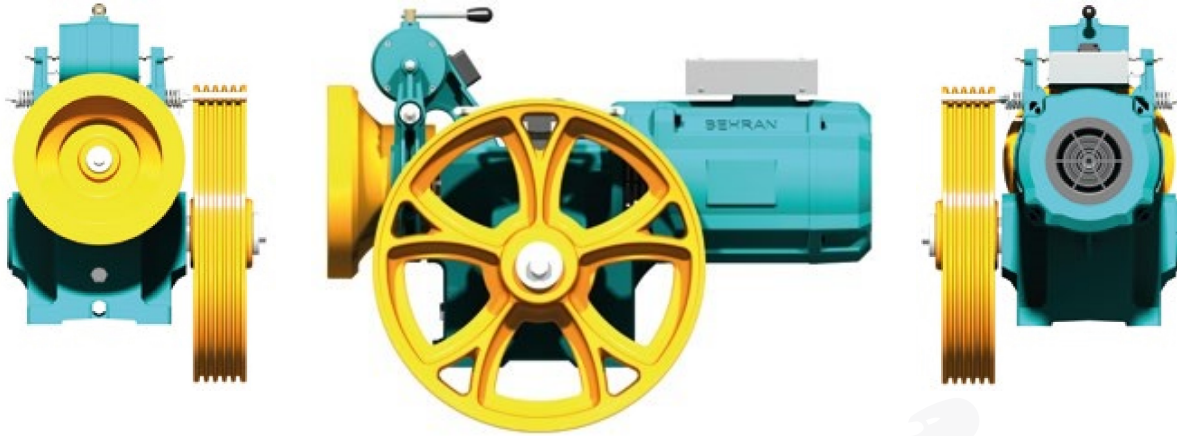


BL 240 Series

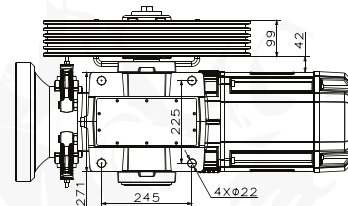
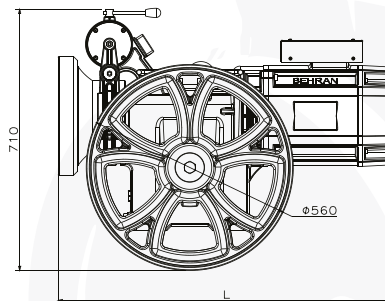
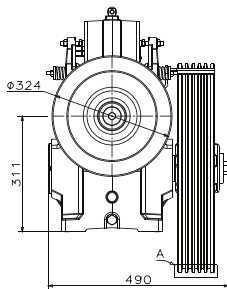
Type	Order No.	Motor Type	Power (Kw)	MOTOR SPECIFICATION														GEARBOX SPECIFICATION											
				Speed (rpm)		Current						Freq. (Hz)	Voltage (V)	Max./Normal Torque (N.m)	Poles Qty.	ED%	Max. Start Per Hour	Load (Kg)	Max. Speed (m/s)	Max. Static Load (Kg)	Traction Sheave Dia. (mm)	Undercut Angle (°)	Groove Angle (°)	Rope Dia. (mm)	Rope Qty.	GearBox Ratio	Efficiency		Length (L)
				low	high	low	high	low	high	low	high																MOTOR Efficiency (ηm)	GEARBOX Efficiency (ηg)	
				In	Ist	Cosφ	%	%																					
BL240	BE014155A110	AC2	5.5	300	1470	7.5	14	13	45	0.6	0.8	50	380	90/38.5	4/16	40	180	450	1	2700	550	35	103	10	4	1/43	75	80	806
	BE014161A110	AC2	6.1	310	1470	8.5	15	12	48	0.6	0.8	50	380	100/43	4/16	40	180	500	1	2700	550	35	103	10	4	1/43	75	80	806
	BE014155V110	VVVF	5.5	1470		10.8		68		0.81		50	380	78/36	4	40	240	450	1	2700	550	35	103	10	4	1/43	76	80	774
	BE014161V110	VVVF	6.1	1470		12.2		74		0.81		50	380	87/40	4	40	240	500	1	2700	550	35	103	10	4	1/43	76	80	774



- Quiet Operation
- Heavy-Duty construction
- Extreme Reliability



Dimensions

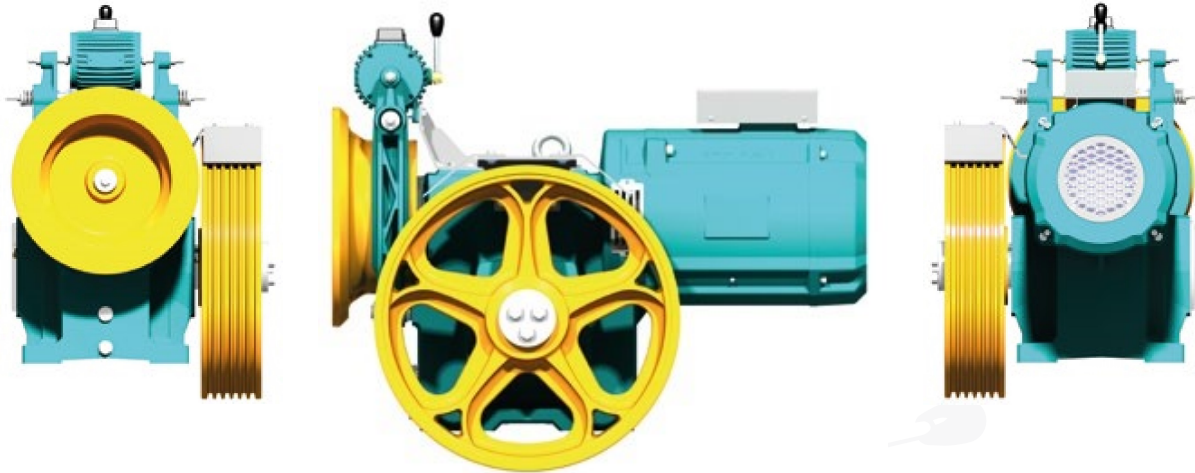


BL 260 Series

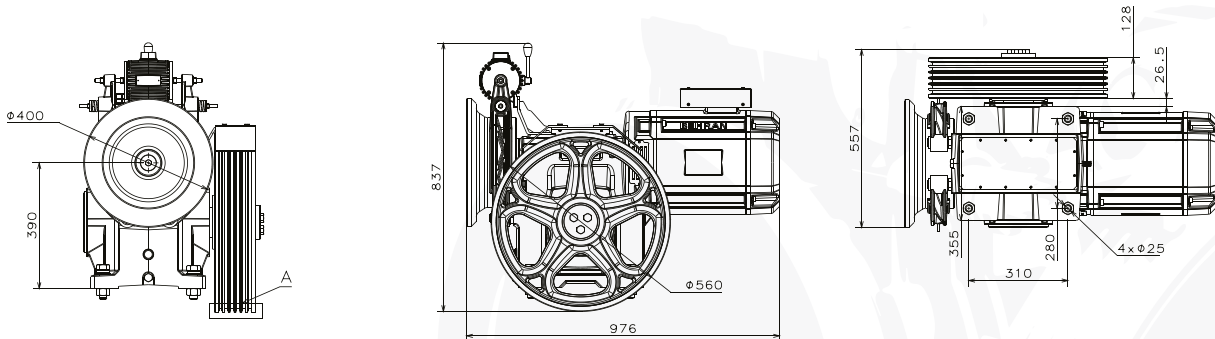
Type	Order No.	Motor Type	Power (Kw)	MOTOR SPECIFICATION												GEARBOX SPECIFICATION													
				Speed (rpm)		Current				Freq. (Hz)	Voltage (V)	Max/Normal Torque (N.m)	Poles Qty.	ED%	Max. Start Per Hour Load (kg)	Max. Speed (m/s)	Max. Static Load (kg)	Traction Sheave Dia. (mm)	Undercut Angle (°)	Groove Angle (°)	Rope Dia. (mm)	Rope Qty.	GearBox Ratio	Efficiency		Length (L)			
				low	high	I _n	I _{st}	Cosφ	MOTOR Efficiency (η _m)															GEARBOX Efficiency (η _g)					
BL260	BE016173A210	AC2	7.3	310	1470	11	19	16	64	0.6	0.8	50	380	120/51	4/16	40	180	630	1	3100	560	35	103	10	5	1/44	78	80	922
	BE016173V210	VVVF	7.3	1470	15	95	0.82	50	380	104/50	4	40	240	630	1	3100	560	35	103	10	5	1/44	80	80	816				
	BE016173V316	VVVF	7.3	1470	15	95	0.82	50	380	104/50	4	40	240	450	1.6	3100	560	35	103	10	5	2/53	80	89	872				
	BE016192V316	VVVF	9.2	1470	17.6	90	0.86	50	380	101/61	4	40	240	630	1.6	3100	560	35	97	11	5	2/53	81	89	872				



- Quiet Operation
- Heavy-Duty construction
- Extreme Reliability



Dimensions



BL 280 Series

Type	Order No.	Motor Type	Power (kw)	MOTOR SPECIFICATIONS												GEARBOX SPECIFICATIONS									
				Speed (rpm)		Current			Freq. (Hz)	Voltage (V)	Max/Normal Torque (N.m)	Poles Qty.	ED%	Max. Start Per Hour	Load (Kg)	Max. Speed (m/s)	Max. Static Load (Kg)	Traction Sheave Dia. (mm)	Undercut Angle (°)	Groove Angle (°)	Rope Dia. (mm)	Rope Qty.	GearBox Ratio	Efficiency %	
				low	high	low	high	low																high	low
BL280	BE018192V210	VVVF	9.2	1470	17.6	90	0.86	50	380	101/61	4	40	240	975	1	5000	560	35	97	12	5	1/44	89	85	
	BE0181B2V210	VVVF	11.2	1440	22	90	0.88	50	380	101/74	4	40	240	1200	1	5000	560	35	97	12	6	1/44	89	85	
	BE018192V316	VVVF	9.2	1470	17.6	90	0.86	50	380	101/61	4	40	240	750	1.6	5000	560	35	97	12	5	2/53	89	89	
	BE0181D2V316	VVVF	13.2	1430	25	120	0.9	50	380	120/88	4	40	240	975	1.6	5000	560	35	97	12	5	2/53	89	89	
	BE0181F2V316	VVVF	15.2						50	380		4	40	240	1200	1.6	5000	560	35	97	12	6	2/53	89	89



- Quiet Operation
- Heavy-Duty construction
- Extreme Reliability